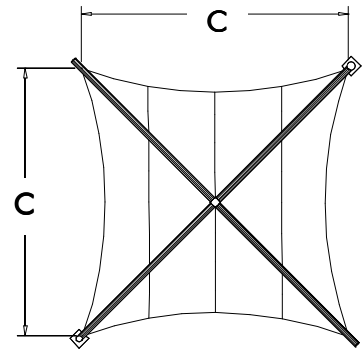
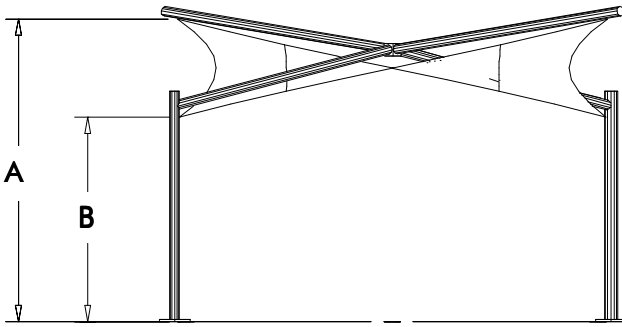


# FLEXSHADE® Hypar™

- Features:**
- ✘ Seaman Tedlar® PVC / Polyester Membrane.
  - ✘ Galvanised & Powder Coated Steelwork. (Alternative Stainless Steel Support)
  - ✘ Stainless Steel Cables & Fittings.
  - ✘ Controlled Water Drainage.
  - ✘ Minimal Footings for Area Covered.
  - ✘ Designed to AS1170 Wind Code and to comply with other Codes worldwide.

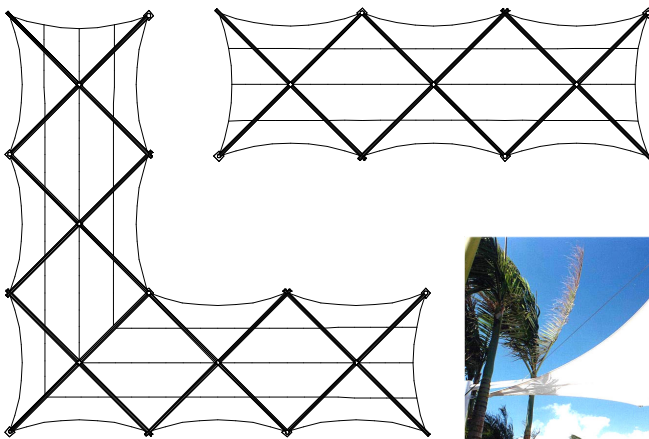
## Hypar™ Series

## Hexagonal Module Hypar14, 19, 25, 32



TYPE	*A	*B	*C	SHIPPING	
				DIMENSIONS	WEIGHT
Hypar *14	3128	2500	2900	3200 x 750 x 750 mm	395 kg
Hypar *19	3450	2500	4330	3500 x 750 x 750 mm	495 kg
Hypar *25	3771	2500	5760	4500 x 750 x 750 mm	660 kg
Hypar *32	4090	2500	7160	5500 x 1000 x 1000 mm	830 kg

## Hypar™ Links *Flexshade® Hypar™ modules can be connected to provide weatherproof cover.*



Flexshade® Hypar™ can be designed to suit specific customer requirements for height and plan dimension.



An Activity of **TENSION SPAN STRUCTURES PTY LTD** ABN 20 050 400 836  
**62 Commercial Road, Fortitude Valley, Queensland, Australia 4006**  
**Ph: (07) 3854 1900 Intl Ph: +61 7 3854 1900 Fax: (07) 3252 1252**  
**Email: sales@flexshade.com Web: www.flexshade.com**

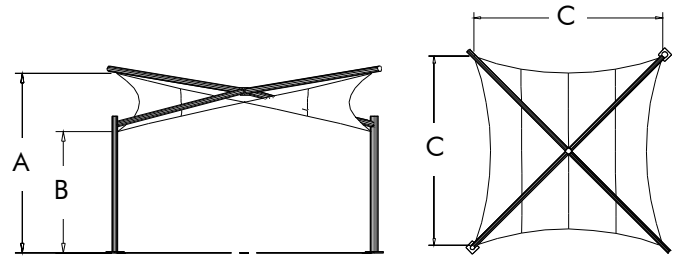


# Technical Specifications Hypar™ Range

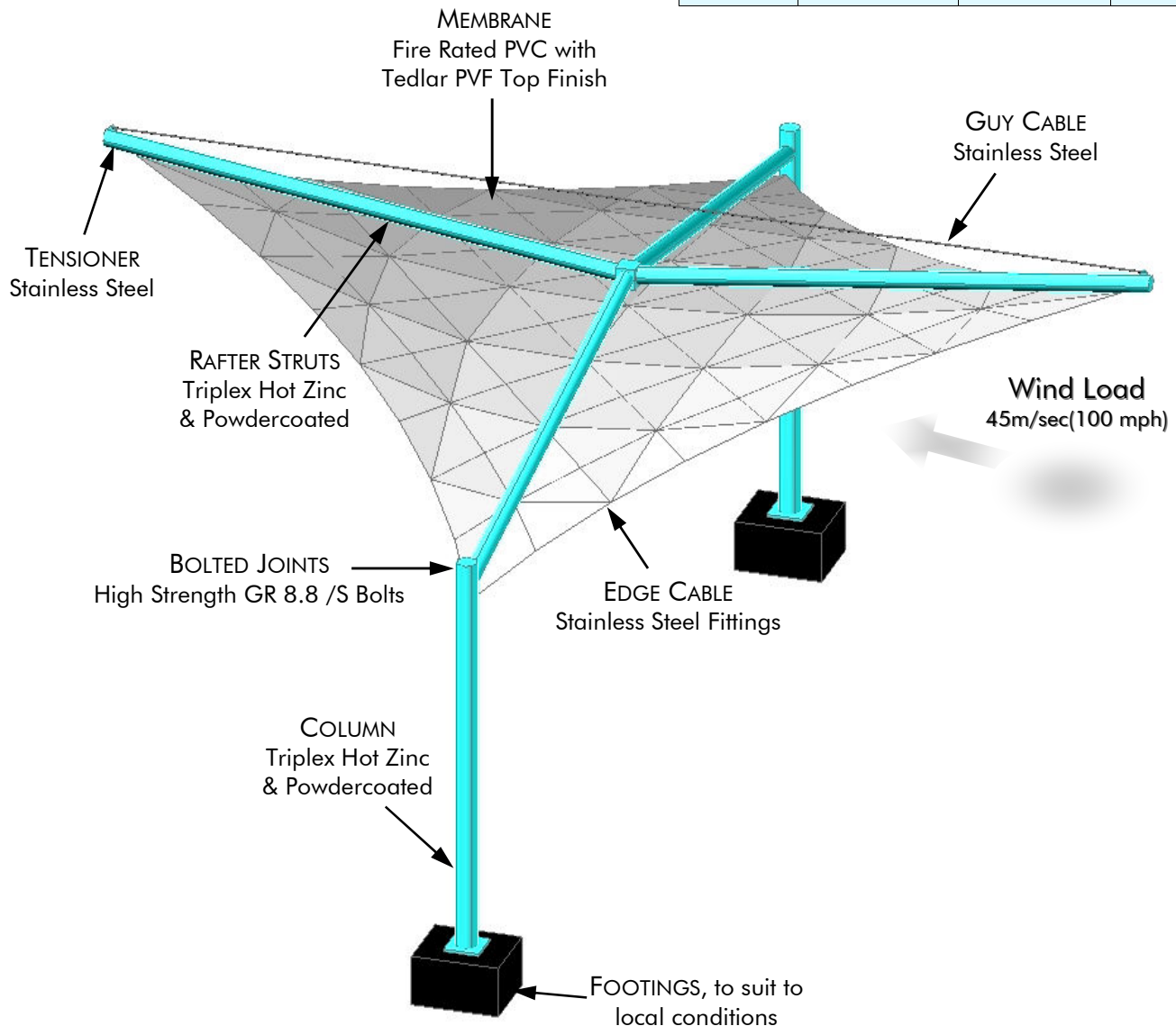
## HYPAR - H\*14, H\*19, H\*25, H\*32

**Wind Rating** : 45m/sec(100mph)  
Exposure B to ASCE 7-98

**Plan Areas** : H\*14 - 8 sq.m (86 sq.ft)  
H\*19 - 9 sq.m (204 sq.ft)  
H\*25 - 33 sq.m (355 sq.ft)  
H\*32 - 51 sq.m (549 sq.ft)



TYPE	A	B	C
H*14	3128 mm 10' 3"	2500 mm 8' 2"	2900 mm 9' 6"
H*19	3450 mm 11' 4"	2500 mm 8' 2"	4330 mm 14' 10"
H*25	3771 mm 12' 4"	2500 mm 8' 2"	5760 mm 18' 11"
H*32	4090 mm 13' 5"	2500 mm 8' 2"	7160 mm 23' 6"



Flexshade® Hypar™ can be designed to suit specific customer requirements for height and plan dimension.